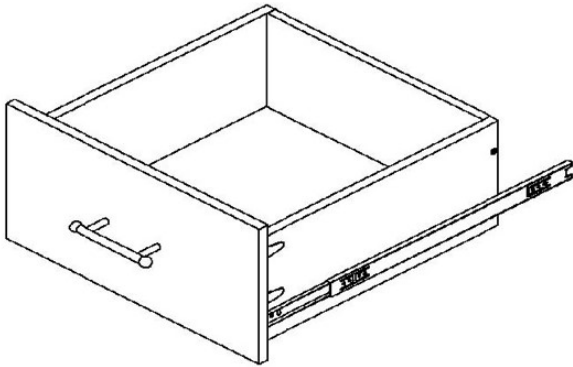


Drawer Assembly



Parts

QTY	Description
1	Drawer Front
2	Drawer Sides
1	Drawer Back
1	Drawer Bottom
2	Full Ext. Drawer Rails
4	#6 × 1-1/4" Screws
8	1/2" Wood Screws
1	Drawer Handle

Order of Assembly

- Shelving Towers
- Angled Wall Towers
- Shoe Stackers
- Drawers and Doors
- Top Shelves and Poles
- Adjustable Shelves and Shoe Cubbies
- Baskets and Valet Rods, Tie & Belt Racks
- Center Islands

Assembly

1. Install screw studs (#2) into drawer front (#1).
2. Attach left & right drawer sides (#3) to drawer front (cams facing outward, slots aligned).

3. Tighten cams (Fig. 1).

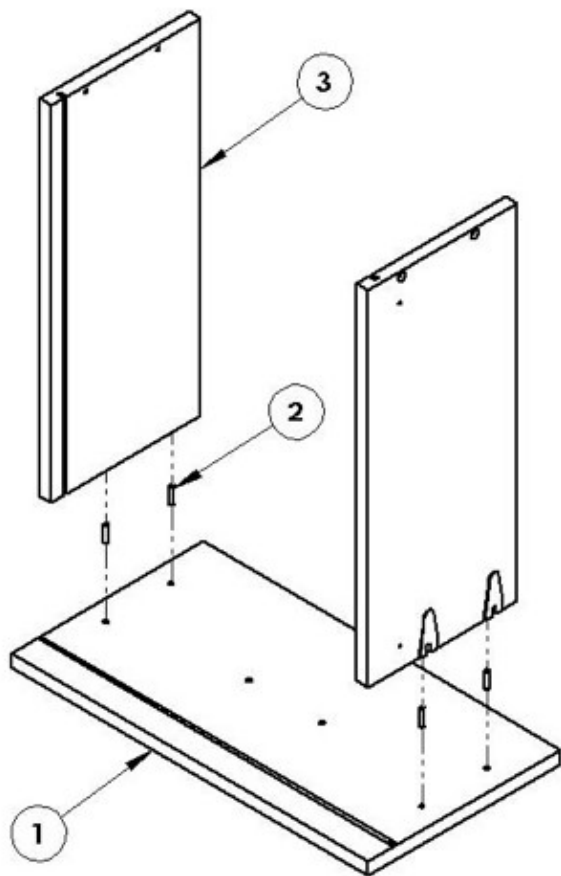


Fig. 1

4. Insert drawer bottom (#4) through slots on drawer sides, seating drawer bottom into slot on drawer front (Fig. 2).

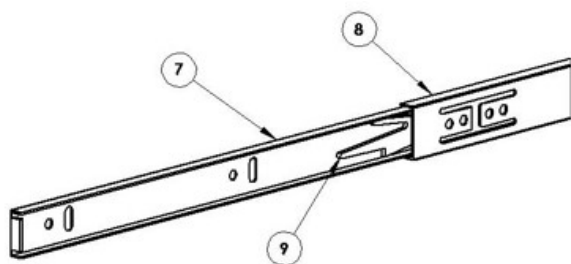


Fig. 2

5. Position drawer back (#5) between drawer sides, mating slot with drawer bottom.

6. Secure with #6 × 1-1/4" screws (Fig. 3).



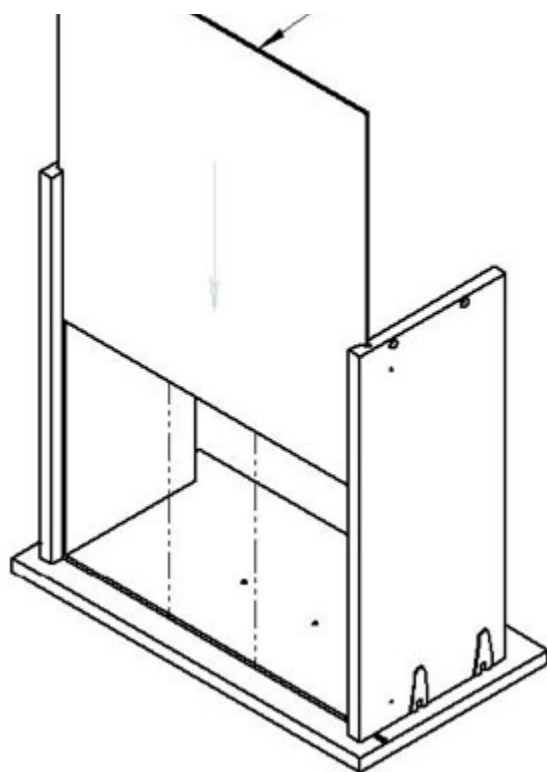


Fig. 3

7. Remove smaller inside drawer rail (#7) from drawer rail assembly (#8), by releasing lever lock mechanism (#9) as shown in Fig. 4.

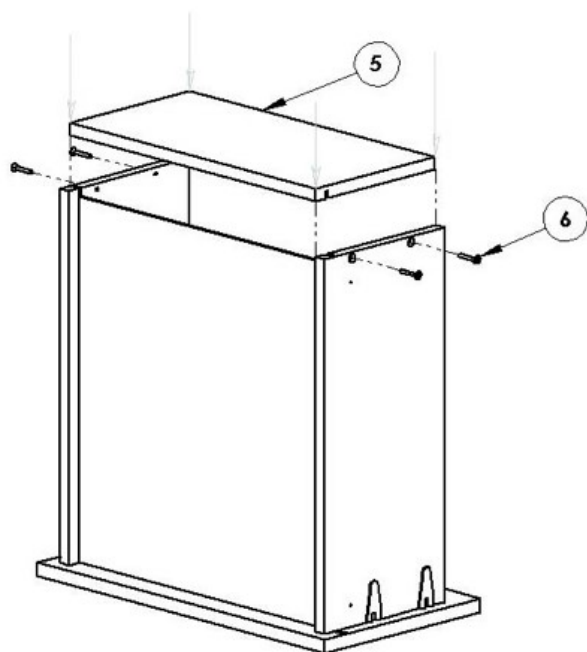


Fig. 4

8. Align drawer rail (#7) to pilot holes in drawer sides (#3).

9. Fasten with 1/2" wood screws (#10) as shown in Fig. 5.

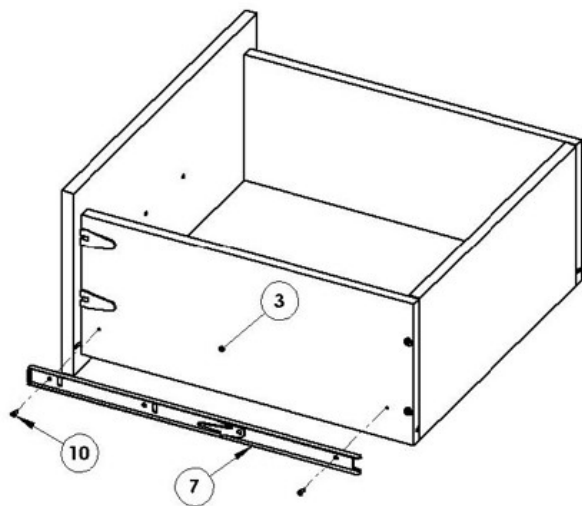


Fig. 5

10. Attach to unit drawer rails (#8) two holes up from bottom.
11. Slide drawer into mating rails ensuring lever lock engages.
12. Additional drawer rails installed every:
 - a. 5 holes above – shallow drawer (6")
 - b. 8 holes above – deep drawer (#10)
13. Install drawer handles.